


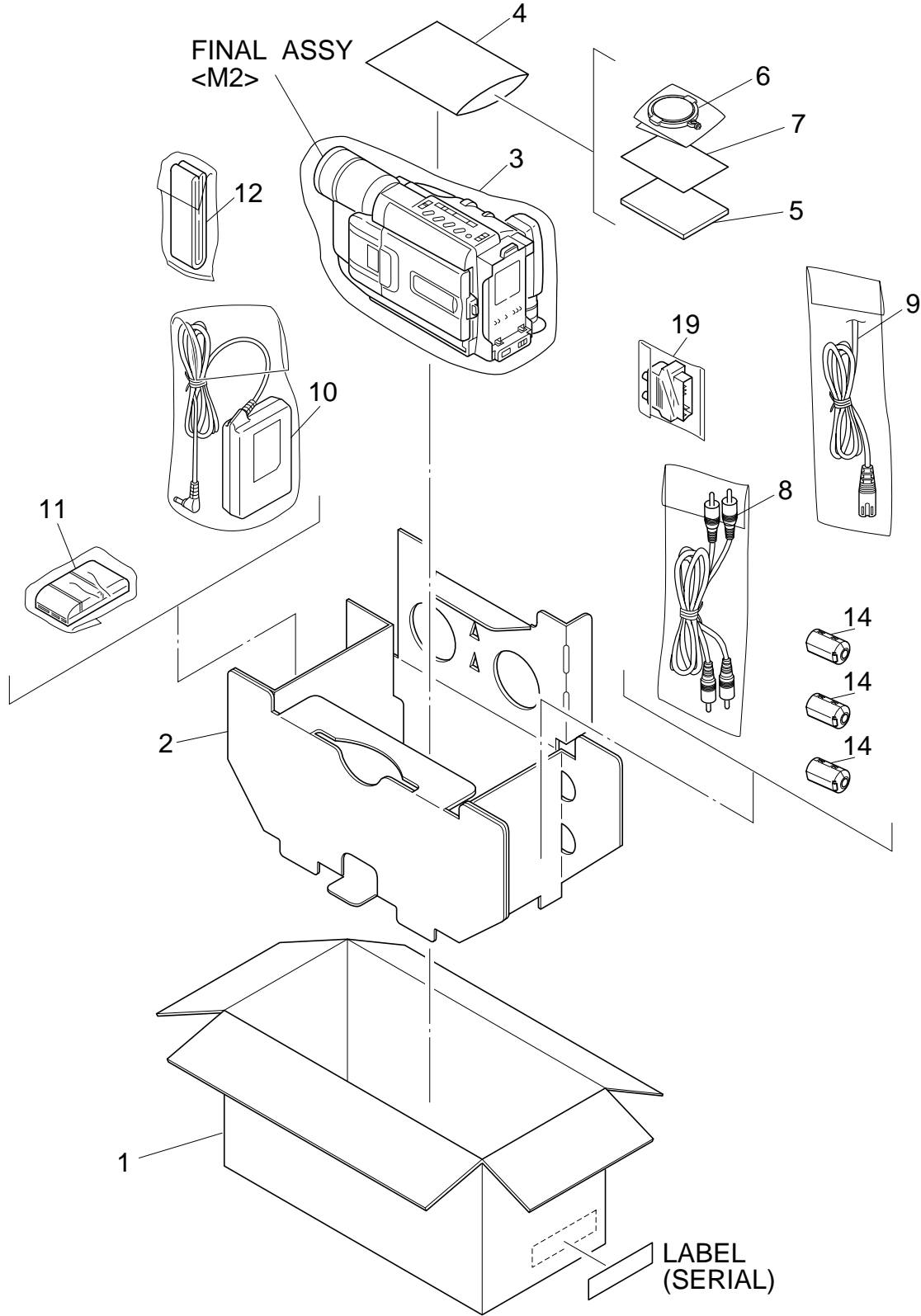
SECTION 5 PARTS LIST

SAFETY PRECAUTION

Parts identified by the  symbol are critical for safety. Replace only with specified part numbers.

5.1 PACKING AND ACCESSORY ASSEMBLY <M1>

The instruction manual to be provided with this product will differ according to the destination.



Δ REF No. PART No. PART NAME, DESCRIPTION

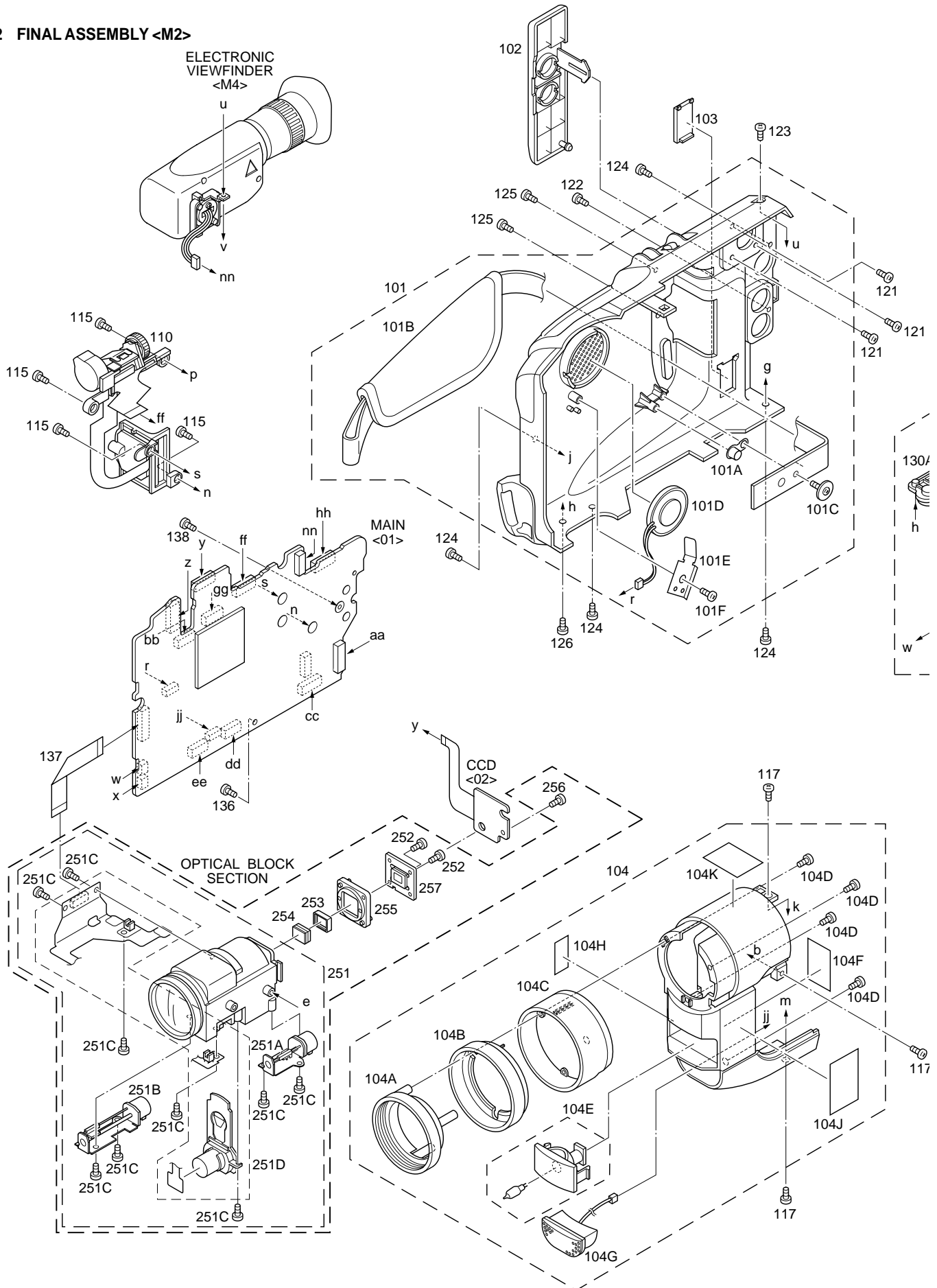
PACKING AND ACCESSORY ASSEMBLY <M1>

1	LY32179-002A	PACKING CASE
2	LY32065-001B	CUSHION
3	LY30023-002A	POLY BAG
4	QPA02003506	POLY BAG
Δ 5	LYT0671-002C	IB(GE)
Δ	LYT0671-003C	IB(FR)
Δ	LYT0671-004C	IB(DU)
Δ	LYT0671-005C	IB(SP)
Δ	LYT0671-006C	IB(IT)
Δ	LYT0671-007C	IB(DA)
Δ	LYT0671-008C	IB(FI)
Δ	LYT0671-009C	IB(SW)
Δ	LYT0671-010C	IB(NO)
6	LY41538-002B	LENS CAP
7	BT-54013-2	WARRANTY CARD
8	PEAC0362-150	CABLE ASSY(AUDIO/VIDEO)
Δ 9	QMPL120-190-JR	POWER CORD
Δ 10	LY20688-001B	AC ADAPTER,AP-V10EG
Δ 11	YQ10629E	BATTERY PACK,BN-V11U
12	LY20186-001A	SHOULDER STRAP
14	QQR0491-002	CORE FILTER,X3
19	PEMC1174	CONNECTOR,CABLE ADAPTER

• INSTRUCTIONS

- GE GERMANY
- FR FRENCH
- DU DUTCH
- SP SPANISH
- IT ITALIAN
- DA DANISH
- FI FINNISH
- SW SWEDISH
- NO NORWEGIAN

5.2 FINAL ASSEMBLY <M2>



▲ REF No. PART No. PART NAME, DESCRIPTION

FINAL ASSEMBLY <M2>

101	LY20684-005A	LOWER CASE ASSY
101A	LY40081-001A	CAP
101B	LY20682-001A	GRIP BELT
101C	LY30018-003A	SPECIAL SCREW
101D	QAS0061-001	SPEAKER
101E	LY42764-001B	HOLDER(SPEAKER)
101F	QYSLSF2050Z	SCREW
102	LY31945-001C	COVER(JACK)
103	LY31946-001A	COVER(JIG)
104	LY20683-008B	FRONT COVER ASSY
104A	LY31937-001A	HOOD
104B	LY31938-001A	COVER(HOOD)
104C	LY31936-001A	RING
104D	QYSLSF2060D	SCREW,X4
104E	LY32040-001A	DC LIGHT
104F	LY30029-0B4A	SPACER(A)
104G	LY32043-001A	MICROPHONE
104H	YQ44341-6	CAUTION LABEL
104J	LY32058-002A	STICKER(A)
104K	LY32060-001A	STICKER(C)
105	LY20694-001B	CASS.COVER(M)ASSY
105A	LY42883-001A	MARK
105B	LY40559-001A	SHIELD SHEET
105C	LY40076-001A	SPACER,X2
106	LY10257-038A	UPPER CASE(M)
109	LY20614-010B	TOP OPE UNIT
110	LY20613-001A	ZOOM UNIT
111	LY20615-004A	REAR UNIT
114	LY32061-003A	STICKER(D)
115	QYSLSF2060D	SCREW,X4
116	QYSLSF2060D	SCREW,X3
117	QYSLSF2060D	SCREW,X3
118	QYSLSF2060D	SCREW,X2
119	QYSLSP2030D	SCREW
120	QYSLSF2060D	SCREW,X2
121	QYSLSF2050Z	SCREW,X3
122	QYSLSF2060D	SCREW
123	QYSLSF2060D	SCREW
124	QYSLSF2060D	SCREW,X4
125	QYSLSF2060D	SCREW,X2
126	QYSLSF2060D	SCREW
127	QYSLSP2030D	SCREW,X2
128	QYSLSP2030D	SCREW,X2
130	LY20678-001A	FRAME ASSY
130A	YQ31843	BASE
130B	QYSLSF2060D	SCREW,X2
130C	LY30029-0A4A	SPACER(A)
130D	LY41082-001A	CUSHION(OP),X2
130E	YQ43810-1-1	CONTACT(LIGHT),X2
130F	WJM0167-001A	E-SI C WIRE C-F,MAIN CN4
131	LY42758-001A	S.CASE(MAIN)
132	QYSPSTU1725M	SCREW
133	LY41173-001A	SPECIAL SCREW,X2
134	QYSLSF1750D	SCREW
135	LY30018-050A	SPECIAL SCREW,X2
136	LY42981-001A	SPECIAL SCREW
137	WJT0039-001A	E-CARD WIRE,OP-MAIN CN15
138	QYSLSF2060D	SCREW

▲ REF No. PART No. PART NAME, DESCRIPTION

140	LY31790-001A	FRONT FRAME ASSY
140A	YQ44144-1-1	TAPE GUIDE
141	SPSH1725M	SCREW,X2
142	LY31807-001A	SIDE BRACKET L
143	LY42722-003A	SCREW
144	LY31806-001A	SIDE BRACKET R
145	LY42722-003A	SCREW
148	LY31816-001A	BRACKET(MECHA)
149	LY42722-003A	SCREW,X2
150	LY31808-001A	CASS.HOUSING ASSY
151	LY42722-003A	SCREW,X4
152	LY30176-001A	CASS.CO.V.INSIDE
153	LY31956-001A	BRACKET(C.CO.V.)

- OPTICAL BLOCK SECTION -

251	LY30948-003A	OP BLOCK ASSY
251A	PTY30948-002	FOCUS MOTOR
251B	PTY30948-321	ZOOM MOTOR
251C	PTY30151-016	SCREW,X9
251D	PTY30948-006	IRIS MOTOR UNIT,INCL.FPC
252	QYSPSGU2080Z	SCREW,X2
253	LY31441-001A	SPACER RUBBER
254	LY41757-001A	OPTICAL LPF
255	LY20346-001A	CCD SPACER
256	LY30018-072A	SPECIAL SCREW
257	LYH40018-003A	CCD BASE ASSY

5.3 ELECTRICAL PARTS LIST

#	△	REF No.	PART No.	PART NAME, DESCRIPTION	#	△	REF No.	PART No.	PART NAME, DESCRIPTION	

MAIN BOARD ASSEMBLY <01>										
		PW	YB10310FC	MAIN BOARD ASSY			Q3003	2SC4097/QR/-X	TRANSISTOR	
		IC101	UPD703039-030	IC(MICRO C ROM)			Q3501	HN1C01FU/G/-X	PAIR TRANSISTOR	
			or UPD70F3040-030	IC(MICRO C ROM)			Q3502	HN1C01FU/G/-X	PAIR TRANSISTOR	
		IC102	TC7S86FU	IC(DIGITAL)			Q3901	HN1A01FU/G/-X	PAIR TRANSISTOR	
			or SN74AHC1G86K	IC			Q4201	2SC4617/QR/-X	TRANSISTOR	
			or MC74VHC1G86DF	IC				or 2SC4738/YG/-X	TRANSISTOR	
		IC104	AT25080N-10SC-X	IC			Q4251	RPM-22PB	PHOTO TRANSISTOR	
			or X25170S8I-2.5-X	IC			Q4501	DTC114EE	TRANSISTOR	
			or 25LC080-I/SN-X	IC			Q4701	PUMX1	PAIR TRANSISTOR	
		IC105	M62367GP	IC				or HN1C01FU/G/-X	PAIR TRANSISTOR	
		IC106	IC-PST9327U-X	IC			Q4702	2SC4617/QR/-X	TRANSISTOR	
		IC107	RS5C314	IC				or 2SC4738/YG/-X	TRANSISTOR	
△		IC1601	BD6630KV	IC			Q4703	PUMX1	PAIR TRANSISTOR	
		IC2001	MC74AC04DT	IC				or HN1C01FU/G/-X	PAIR TRANSISTOR	
		IC2401	NJM2149V	IC			Q4704	PUMT1	PAIR TRANSISTOR	
		IC3001	JCY0130	IC				or HN1A01FU/G/-X	PAIR TRANSISTOR	
		IC3002	SN74AHC1G04K	IC			Q6101	SSM6J07FU	MOS FET	
		IC3501	HA118224F	IC			Q6201	SSM6J07FU	MOS FET	
		IC4001	JCY0149	IC			Q6301	CPH3304	MOS FET	
		IC4003	UPD6467GR-506-X	IC(MICRO C ROM)			Q6306	SSM3K02F	MOS FET	
		IC4004	MM1385NN	IC			Q6307	2SC4617/QR/-X	TRANSISTOR	
		IC4201	UPC358G2/5/-W	IC			Q6308	CPH3101	TRANSISTOR	
		IC4202	BA10324AF-XE	IC			Q6401	SSM6J07FU	MOS FET	
		IC4251	BA10358F-XE	IC			Q6501	SSM6J07FU	MOS FET	
		IC4501	UPD16835G3	IC			Q6601	CPH3305	MOS FET	
		IC5201	HD49326BF	IC			Q6608	DTC144EE	TRANSISTOR	
		IC5202	JCY0098	IC			Q6621	HN1C01FU/G/-X	PAIR TRANSISTOR	
		IC6001	FA3698F	IC			Q6622	2SA1577/QR/-X	TRANSISTOR	
		IC7002	MN5814	IC			Q6701	FX802	TRANSISTOR	
		IC7006	BA4558F	IC			Q6702	2SC4097/QR/-X	TRANSISTOR	
		IC7007	TC7S04FU	IC(DIGITAL)			Q6801	2SA1577/QR/-X	TRANSISTOR	
			or SN74AHC1G04K	IC			Q6811	2SB1121/TU/-X	TRANSISTOR	
			or MC74VHC1G04DF	IC			Q7003	PUMX1	PAIR TRANSISTOR	
		IC7008	SN74LV4052APW	IC			Q7011	PUMX1	PAIR TRANSISTOR	
		Q101	2SA1774/RS/-X	TRANSISTOR			Q7013	PUMX1	PAIR TRANSISTOR	
		Q102	DTC144EE	TRANSISTOR			Q7015	PUMX1	PAIR TRANSISTOR	
		Q103	2SC4617/QR/-X	TRANSISTOR			Q7017	2SC4617/QR/-X	TRANSISTOR	
		Q104	DTC144EE	TRANSISTOR			Q7018	2SA1774/QR/-X	TRANSISTOR	
		Q105	2SA1774/RS/-X	TRANSISTOR			Q7019	2SC4617/QR/-X	TRANSISTOR	
		Q110	DTC144EE	TRANSISTOR			Q7020	2SA1774/QR/-X	TRANSISTOR	
		Q111	DTC114EE	TRANSISTOR			Q7022	DTC144EE	TRANSISTOR	
		Q112	DTC114EE	TRANSISTOR			△	D101	SB007W03Q	SB DIODE
		Q113	2SC4097/QR/-X	TRANSISTOR			D102	UDZS7.5B	ZENER DIODE	
		Q2001	DTA114TE	TRANSISTOR			D105	1SS355	DIODE	
		Q2007	PUMX1	PAIR TRANSISTOR			D106	1SS355	DIODE	
			or HN1C01FU/G/-X	PAIR TRANSISTOR			D107	SB007W03Q	SB DIODE	
			or UMX1N	PAIR TRANSISTOR			D501	MA8068	ZENER DIODE	
		Q2008	PUMT1	PAIR TRANSISTOR			D502	MA8068	ZENER DIODE	
			or HN1A01FU/G/-X	PAIR TRANSISTOR			D5201	1SS355	DIODE	
		Q2021	DTC144EE	TRANSISTOR			D6001	CRS03	SB DIODE	
		Q2022	DTC144EE	TRANSISTOR			D6101	CRS03	SB DIODE	
		Q2023	2SC4617/QR/-X	TRANSISTOR			D6106	1SS357	SB DIODE	
		Q2071	2SC4617/QR/-X	TRANSISTOR			D6201	CRS03	SB DIODE	
		Q2401	DTC144EE	TRANSISTOR			D6301	CRS03	SB DIODE	
		Q3002	PUMX1	PAIR TRANSISTOR			D6401	CRS03	SB DIODE	
			or UMX1N	PAIR TRANSISTOR			D6501	CRS03	SB DIODE	
			or HN1C01FU/G/-X	PAIR TRANSISTOR			D6601	1SS383	SB DIODE	
							D6616	UDZS8.2B	ZENER DIODE	
							D7002	MA365	VARI CAP DIODE	
							D7004	RB471E	SB DIODE	
							R101	NRSA63J-104X	MG RESISTOR	

100kΩ,1/16W

#	△ REF No.	PART No.	PART NAME, DESCRIPTION	#	△ REF No.	PART No.	PART NAME, DESCRIPTION
△	R104	NRSA63J-102X	MG RESISTOR 1kΩ,1/16W	R173	NRSA63J-0R0X	MG RESISTOR	0Ω,1/16W
	R105	NRSA63J-103X	MG RESISTOR 10kΩ,1/16W	R174	NRSA63J-0R0X	MG RESISTOR	0Ω,1/16W
	R106	NRSA63J-561X	MG RESISTOR 560Ω,1/16W	R175	NRSA63J-105X	MG RESISTOR	1MΩ,1/16W
	R107	NRVA63D-153X	CMF RESISTOR 15kΩ,1/16W	R176	NRSA63J-221X	MG RESISTOR	220Ω,1/16W
	R108	NRVA63D-243X	CMF RESISTOR 24kΩ,1/16W	R180	NRSA63J-331X	MG RESISTOR	330Ω,1/16W
	R109	NRVA63D-183X	CMF RESISTOR 18kΩ,1/16W	R182	NRSA63J-222X	MG RESISTOR	2.2kΩ,1/16W
	R110	NRSA63J-103X	MG RESISTOR 10kΩ,1/16W	R183	NRSA63J-222X	MG RESISTOR	2.2kΩ,1/16W
	R111	NRSA63J-273X	MG RESISTOR 27kΩ,1/16W	R184	NRSA63J-222X	MG RESISTOR	2.2kΩ,1/16W
	R112	NRSA63J-331X	MG RESISTOR 330Ω,1/16W	R188	NRSA63J-222X	MG RESISTOR	2.2kΩ,1/16W
	R113	NRSA63J-562X	MG RESISTOR 5.6kΩ,1/16W	R190	NRSA63J-331X	MG RESISTOR	330Ω,1/16W
	R114	NRSA63J-821X	MG RESISTOR 820Ω,1/16W	R191	NRSA63J-0R0X	MG RESISTOR	0Ω,1/16W
	R115	NRSA63J-101X	MG RESISTOR 100Ω,1/16W	R192	NRSA63J-105X	MG RESISTOR	1MΩ,1/16W
	R116	NRSA63J-102X	MG RESISTOR 1kΩ,1/16W	R195	NRSA63J-0R0X	MG RESISTOR	0Ω,1/16W
	R118	NRSA63J-103X	MG RESISTOR 10kΩ,1/16W	R504	NRSA63J-221X	MG RESISTOR	220Ω,1/16W
	R119	NRSA63J-103X	MG RESISTOR 10kΩ,1/16W	R505	NRSA63J-331X	MG RESISTOR	330Ω,1/16W
	R120	NRSA63J-273X	MG RESISTOR 27kΩ,1/16W	R1601	NRV142F-R33X	CMF RESISTOR	0.33Ω,1/4W
	R121	NRSA63J-273X	MG RESISTOR 27kΩ,1/16W	R1602	NRV142F-R33X	CMF RESISTOR	0.33Ω,1/4W
	R122	NRSA63J-393X	MG RESISTOR 39kΩ,1/16W	R1603	NRSA63J-154X	MG RESISTOR	150kΩ,1/16W
	R123	NRSA63J-104X	MG RESISTOR 100kΩ,1/16W	R1604	NRSA63J-102X	MG RESISTOR	1kΩ,1/16W
	R124	NRSA63J-104X	MG RESISTOR 100kΩ,1/16W	R1605	NRSA63J-102X	MG RESISTOR	1kΩ,1/16W
	R125	NRSA63J-273X	MG RESISTOR 27kΩ,1/16W	R1606	NRSA63J-102X	MG RESISTOR	1kΩ,1/16W
	R126	NRSA63J-153X	MG RESISTOR 15kΩ,1/16W	R1607	NRSA63J-104X	MG RESISTOR	100kΩ,1/16W
	R127	NRSA63J-221X	MG RESISTOR 220Ω,1/16W	R1608	NRSA63J-104X	MG RESISTOR	100kΩ,1/16W
	R128	NRSA63J-102X	MG RESISTOR 1kΩ,1/16W	R1609	NRSA63J-333X	MG RESISTOR	33kΩ,1/16W
	R129	NRSA63J-102X	MG RESISTOR 1kΩ,1/16W	R1610	NRSA63J-103X	MG RESISTOR	10kΩ,1/16W
	R130	NRSA63J-105X	MG RESISTOR 1MΩ,1/16W	R1612	NRSA63J-392X	MG RESISTOR	3.9kΩ,1/16W
	R131	NRSA63J-105X	MG RESISTOR 1MΩ,1/16W	R1613	NRSA63J-104X	MG RESISTOR	100kΩ,1/16W
	R132	NRSA63J-105X	MG RESISTOR 1MΩ,1/16W	R1614	NRSA63J-333X	MG RESISTOR	33kΩ,1/16W
	R133	NRSA63J-105X	MG RESISTOR 1MΩ,1/16W	R1615	NRSA63J-103X	MG RESISTOR	10kΩ,1/16W
	R134	NRSA63J-105X	MG RESISTOR 1MΩ,1/16W	R1617	NRSA63J-183X	MG RESISTOR	18kΩ,1/16W
	R135	NRSA63J-104X	MG RESISTOR 100kΩ,1/16W	R1618	NRSA63J-154X	MG RESISTOR	150kΩ,1/16W
	R136	NRSA63J-474X	MG RESISTOR 470kΩ,1/16W	R1619	NRSA63J-471X	MG RESISTOR	470Ω,1/16W
	R138	NRSA63J-333X	MG RESISTOR 33kΩ,1/16W	R1620	NRSA63J-684X	MG RESISTOR	680kΩ,1/16W
	R139	NRSA63J-104X	MG RESISTOR 100kΩ,1/16W	R1621	NRSA63J-102X	MG RESISTOR	1kΩ,1/16W
	R140	NRSA63J-753X	MG RESISTOR 75kΩ,1/16W	R1622	NRSA63J-224X	MG RESISTOR	220kΩ,1/16W
	R141	NRSA63J-334X	MG RESISTOR 330kΩ,1/16W	R1623	NRSA63J-223X	MG RESISTOR	22kΩ,1/16W
	R142	NRSA63J-103X	MG RESISTOR 10kΩ,1/16W	R1624	NRSA63J-104X	MG RESISTOR	100kΩ,1/16W
	R143	NRSA63J-105X	MG RESISTOR 1MΩ,1/16W	R1625	NRSA63J-104X	MG RESISTOR	100kΩ,1/16W
	R144	NRSA63J-221X	MG RESISTOR 220Ω,1/16W	R1626	NRSA63J-104X	MG RESISTOR	100kΩ,1/16W
	R145	NRSA63J-222X	MG RESISTOR 2.2kΩ,1/16W	R1628	NRSA63J-0R0X	MG RESISTOR	0Ω,1/16W
	R146	NRSA63J-474X	MG RESISTOR 470kΩ,1/16W	R1629	NRSA63J-0R0X	MG RESISTOR	0Ω,1/16W
	R147	NRSA63J-472X	MG RESISTOR 4.7kΩ,1/16W	R1630	NRSA63J-0R0X	MG RESISTOR	0Ω,1/16W
	R148	NRSA63J-0R0X	MG RESISTOR 0Ω,1/16W	R1631	NRSA63J-122X	MG RESISTOR	1.2kΩ,1/16W
	R149	NRSA63J-104X	MG RESISTOR 100kΩ,1/16W	R1632	NRSA63J-153X	MG RESISTOR	15kΩ,1/16W
	R150	NRSA63J-222X	MG RESISTOR 2.2kΩ,1/16W	R1633	NRSA63J-683X	MG RESISTOR	68kΩ,1/16W
	R151	NRSA63J-222X	MG RESISTOR 2.2kΩ,1/16W	R2001	NRSA63J-104X	MG RESISTOR	100kΩ,1/16W
	R152	NRSA63J-474X	MG RESISTOR 470kΩ,1/16W	R2002	NRSA63J-332X	MG RESISTOR	3.3kΩ,1/16W
	R153	NRSA63J-474X	MG RESISTOR 470kΩ,1/16W	R2003	NRSA63J-102X	MG RESISTOR	1kΩ,1/16W
	R158	NRSA63J-474X	MG RESISTOR 470kΩ,1/16W	R2004	NRSA63J-681X	MG RESISTOR	680Ω,1/16W
	R159	NRSA63J-474X	MG RESISTOR 470kΩ,1/16W	R2005	NRSA63J-272X	MG RESISTOR	2.7kΩ,1/16W
	R160	NRSA63J-474X	MG RESISTOR 470kΩ,1/16W	R2006	NRSA63J-102X	MG RESISTOR	1kΩ,1/16W
	R161	NRSA63J-104X	MG RESISTOR 100kΩ,1/16W	R2011	NRSA63J-101X	MG RESISTOR	100Ω,1/16W
	R162	NRSA63J-472X	MG RESISTOR 4.7kΩ,1/16W	R2012	NRSA63J-101X	MG RESISTOR	100Ω,1/16W
	R163	NRSA63J-221X	MG RESISTOR 220Ω,1/16W	R2021	NRSA63J-103X	MG RESISTOR	10kΩ,1/16W
	R164	NRSA63J-472X	MG RESISTOR 4.7kΩ,1/16W	R2022	NRSA63J-334X	MG RESISTOR	330kΩ,1/16W
	R166	NRSA63J-103X	MG RESISTOR 10kΩ,1/16W	R2023	NRSA63J-820X	MG RESISTOR	82Ω,1/16W
	R167	NRSA63J-183X	MG RESISTOR 18kΩ,1/16W	R2024	NRVA63D-183X	CMF RESISTOR	18kΩ,1/16W
	R168	NRSA63J-562X	MG RESISTOR 5.6kΩ,1/16W	R2025	NRSA63J-823X	MG RESISTOR	82kΩ,1/16W
	R170	NRSA63J-333X	MG RESISTOR 33kΩ,1/16W	R2026	NRSA63J-0R0X	MG RESISTOR	0Ω,1/16W
	R171	NRSA63J-104X	MG RESISTOR 100kΩ,1/16W	R2027	NRSA63J-102X	MG RESISTOR	1kΩ,1/16W
	R172	NRSA63J-151X	MG RESISTOR 150Ω,1/16W	R2028	NRSA63J-102X	MG RESISTOR	1kΩ,1/16W

#	△ REF No.	PART No.	PART NAME, DESCRIPTION	#	△ REF No.	PART No.	PART NAME, DESCRIPTION
	R2030	NRSA63J-104X	MG RESISTOR		R4216	NRSA63J-103X	MG RESISTOR
	R2031	NRSA63J-332X	MG RESISTOR		R4217	NRSA63J-102X	MG RESISTOR
	R2032	NRSA63J-270X	MG RESISTOR		R4218	NRSA63J-102X	MG RESISTOR
	R2051	NRSA63J-102X	MG RESISTOR		R4219	NRSA63J-104X	MG RESISTOR
	R2071	NRSA63J-473X	MG RESISTOR		R4220	NRSA63J-152X	MG RESISTOR
	R2072	NRSA63J-562X	MG RESISTOR		R4221	NRSA63J-334X	MG RESISTOR
	R2401	NRSA63J-392X	MG RESISTOR		R4222	NRSA63J-154X	MG RESISTOR
	R2402	NRSA63J-332X	MG RESISTOR		R4223	NRSA63J-333X	MG RESISTOR
	R2403	NRSA63J-103X	MG RESISTOR		R4224	NRSA63J-223X	MG RESISTOR
	R3001	NRSA63J-105X	MG RESISTOR		R4251	NRSA63J-182X	MG RESISTOR
	R3002	NRVA63D-471X	CMF RESISTOR		R4252	NRSA63J-103X	MG RESISTOR
	R3004	NRVA63D-333X	CMF RESISTOR		R4253	NRSA63J-103X	MG RESISTOR
	R3006	NRVA63D-561X	CMF RESISTOR		R4254	NRSA63J-684X	MG RESISTOR
	R3007	NRVA63D-183X	CMF RESISTOR		R4255	NRSA63J-222X	MG RESISTOR
	R3008	NRSA63J-393X	MG RESISTOR		R4256	NRSA63J-824X	MG RESISTOR
	R3009	NRSA63J-272X	MG RESISTOR		R4257	NRSA63J-822X	MG RESISTOR
	R3010	NRSA63J-332X	MG RESISTOR		R4258	NRSA63J-104X	MG RESISTOR
	R3014	NRSA63J-681X	MG RESISTOR		R4259	NRSA63J-683X	MG RESISTOR
	R3015	NRSA63J-332X	MG RESISTOR		R4262	NRSA63J-302X	MG RESISTOR
	R3016	NRSA63J-332X	MG RESISTOR	△	R4501	NRSA63J-6R8X	MG RESISTOR
	R3018	NRSA63J-271X	MG RESISTOR	△	R4502	NRSA63J-6R8X	MG RESISTOR
	R3023	NRSA63J-331X	MG RESISTOR	△	R4503	NRSA63J-6R8X	MG RESISTOR
	R3028	NRVA63D-472X	CMF RESISTOR	△	R4504	NRSA63J-6R8X	MG RESISTOR
	R3029	NRSA63J-0R0X	MG RESISTOR		R4505	NRSA63J-271X	MG RESISTOR
	R3030	NRSA63J-561X	MG RESISTOR		R4507	NRSA63J-103X	MG RESISTOR
	R3034	NRSA63J-220X	MG RESISTOR		R4508	NRSA63J-103X	MG RESISTOR
	R3038	NRSA63J-392X	MG RESISTOR		R4514	NRSA63J-223X	MG RESISTOR
	R3501	NRSA63J-221X	MG RESISTOR		R4515	NRSA63J-182X	MG RESISTOR
	R3502	NRSA63J-102X	MG RESISTOR		R4701	NRSA63J-0R0X	MG RESISTOR
	R3504	NRSA63J-102X	MG RESISTOR		R4702	NRSA63J-680X	MG RESISTOR
	R3505	NRSA63J-102X	MG RESISTOR		R4703	NRVA63D-561X	CMF RESISTOR
	R3506	NRSA63J-102X	MG RESISTOR		R4704	NRVA63D-272X	CMF RESISTOR
	R3507	NRSA63J-101X	MG RESISTOR		R4705	NRVA63D-562X	CMF RESISTOR
	R3508	NRSA63J-153X	MG RESISTOR		R4706	NRSA63J-681X	MG RESISTOR
	R3901	NRSA63J-100X	MG RESISTOR		R4707	NRSA63J-122X	MG RESISTOR
	R3902	NRSA63J-101X	MG RESISTOR		R4708	NRSA63J-104X	MG RESISTOR
	R3903	NRSA63J-182X	MG RESISTOR		R4709	NRSA63J-332X	MG RESISTOR
	R4001	NRSA63J-113X	MG RESISTOR		R4710	NRSA63J-332X	MG RESISTOR
	R4002	NRSA63J-123X	MG RESISTOR		R4720	NRSA63J-0R0X	MG RESISTOR
	R4003	NRSA63J-153X	MG RESISTOR		R4722	NRVA63D-680X	CMF RESISTOR
	R4004	NRSA63J-103X	MG RESISTOR		R5201	NRSA63J-243X	MG RESISTOR
	R4006	NRVA63D-103X	CMF RESISTOR		R5202	NRSA63J-220X	MG RESISTOR
	R4007	NRVA63D-392X	CMF RESISTOR		R5204	NRSA63J-0R0X	MG RESISTOR
	R4008	NRVA63D-272X	CMF RESISTOR		R5212	NRSA63J-101X	MG RESISTOR
	R4009	NRVA63D-152X	CMF RESISTOR		R5213	NRSA63J-101X	MG RESISTOR
	R4010	NRVA63D-122X	CMF RESISTOR		R5214	NRSA63J-101X	MG RESISTOR
	R4036	NRSA63J-0R0X	MG RESISTOR		R5215	NRSA63J-104X	MG RESISTOR
	R4037	NRSA63J-102X	MG RESISTOR		R5216	NRSA63J-100X	MG RESISTOR
	R4201	NRSA63J-103X	MG RESISTOR		R5217	NRSA63J-104X	MG RESISTOR
	R4202	NRSA63J-563X	MG RESISTOR		R5218	NRSA63J-0R0X	MG RESISTOR
	R4203	NRSA63J-103X	MG RESISTOR		R5220	NRSA63J-0R0X	MG RESISTOR
	R4204	NRSA63J-331X	MG RESISTOR		R6001	NRSA63J-104X	MG RESISTOR
	R4205	NRSA63J-105X	MG RESISTOR		R6002	NRSA63J-333X	MG RESISTOR
	R4206	NRSA63J-103X	MG RESISTOR		R6003	NRVA63D-912X	CMF RESISTOR
	R4207	NRSA63J-104X	MG RESISTOR		R6004	NRVA63D-471X	CMF RESISTOR
	R4208	NRSA63J-472X	MG RESISTOR		R6005	NRVA63D-183X	CMF RESISTOR
	R4209	NRSA63J-104X	MG RESISTOR		R6006	NRSA63J-472X	MG RESISTOR
	R4210	NRSA63J-105X	MG RESISTOR		R6008	NRVA63D-183X	CMF RESISTOR
	R4211	NRSA63J-243X	MG RESISTOR		R6009	NRSA63J-224X	MG RESISTOR
	R4214	NRSA63J-472X	MG RESISTOR		R6010	NRSA63J-473X	MG RESISTOR
	R4215	NRSA63J-683X	MG RESISTOR		R6011	NRSA63J-473X	MG RESISTOR

#	△ REF No.	PART No.	PART NAME, DESCRIPTION	#	△ REF No.	PART No.	PART NAME, DESCRIPTION
R6012		NRSA63J-103X	MG RESISTOR 10kΩ,1/16W	R7009		NRSA63J-0R0X	MG RESISTOR 0Ω,1/16W
R6015		NRSA63J-104X	MG RESISTOR 100kΩ,1/16W	R7031		NRSA63J-474X	MG RESISTOR 470kΩ,1/16W
R6016		NRSA63J-104X	MG RESISTOR 100kΩ,1/16W	R7032		NRSA63J-223X	MG RESISTOR 22kΩ,1/16W
R6019		NRSA63J-222X	MG RESISTOR 2.2kΩ,1/16W	R7033		NRSA63J-104X	MG RESISTOR 100kΩ,1/16W
R6020		NRSA63J-224X	MG RESISTOR 220kΩ,1/16W	R7035		NRSA63J-103X	MG RESISTOR 10kΩ,1/16W
R6021		NRSA63J-102X	MG RESISTOR 1kΩ,1/16W	R7040		NRVA63D-333X	CMF RESISTOR 33kΩ,1/16W
R6022		NRSA63J-102X	MG RESISTOR 1kΩ,1/16W	R7042		NRVA63D-123X	CMF RESISTOR 12kΩ,1/16W
R6023		NRSA63J-102X	MG RESISTOR 1kΩ,1/16W	R7043		NRVA63D-123X	CMF RESISTOR 12kΩ,1/16W
R6103		NRVA63D-223X	CMF RESISTOR 22kΩ,1/16W	R7044		NRVA63D-752X	CMF RESISTOR 7.5kΩ,1/16W
R6104		NRVA63D-103X	CMF RESISTOR 10kΩ,1/16W	R7045		NRVA63D-103X	CMF RESISTOR 10kΩ,1/16W
R6203		NRVA63D-103X	CMF RESISTOR 10kΩ,1/16W	R7046		NRSA63J-103X	MG RESISTOR 10kΩ,1/16W
R6204		NRVA63D-103X	CMF RESISTOR 10kΩ,1/16W	R7049		NRSA63J-680X	MG RESISTOR 68Ω,1/16W
R6303		NRVA63D-183X	CMF RESISTOR 18kΩ,1/16W	R7050		NRSA63J-680X	MG RESISTOR 68Ω,1/16W
R6304		NRVA63D-472X	CMF RESISTOR 4.7kΩ,1/16W	R7051		NRSA63J-680X	MG RESISTOR 68Ω,1/16W
R6306		NRS12BK-R47W	MG RESISTOR 0.47Ω,1/2W	R7057		NRSA63J-0R0X	MG RESISTOR 0Ω,1/16W
R6307		NRSA63J-104X	MG RESISTOR 100kΩ,1/16W	R7067		NRSA63J-223X	MG RESISTOR 22kΩ,1/16W
R6309		NRSA63J-103X	MG RESISTOR 10kΩ,1/16W	R7068		NRSA63J-223X	MG RESISTOR 22kΩ,1/16W
R6310		NRSA63J-152X	MG RESISTOR 1.5kΩ,1/16W	R7069		NRSA63J-223X	MG RESISTOR 22kΩ,1/16W
R6311		NRSA63J-473X	MG RESISTOR 47kΩ,1/16W	R7070		NRSA63J-223X	MG RESISTOR 22kΩ,1/16W
R6403		NRSA63J-473X	MG RESISTOR 47kΩ,1/16W	R7071		NRSA63J-223X	MG RESISTOR 22kΩ,1/16W
R6404		NRSA63J-302X	MG RESISTOR 3kΩ,1/16W	R7072		NRSA02J-182X	MG RESISTOR 1.8kΩ,1/10W
R6406		NRSA63J-183X	MG RESISTOR 18kΩ,1/16W	R7073		NRSA02J-331X	MG RESISTOR 330Ω,1/10W
R6407		NRSA63J-823X	MG RESISTOR 82kΩ,1/16W	R7074		NRSA63J-103X	MG RESISTOR 10kΩ,1/16W
R6503		NRSA63J-243X	MG RESISTOR 24kΩ,1/16W	R7077		NRVA63D-682X	CMF RESISTOR 6.8kΩ,1/16W
R6504		NRSA63J-332X	MG RESISTOR 3.3kΩ,1/16W	R7083		NRSA63J-105X	MG RESISTOR 1MΩ,1/16W
R6506		NRSA63J-223X	MG RESISTOR 22kΩ,1/16W	R7086		NRVA63D-123X	CMF RESISTOR 12kΩ,1/16W
R6507		NRSA63J-823X	MG RESISTOR 82kΩ,1/16W	R7091		NRVA63D-123X	CMF RESISTOR 12kΩ,1/16W
R6603		NRVA63D-683X	CMF RESISTOR 68kΩ,1/16W	R7093		NRVA63D-223X	CMF RESISTOR 22kΩ,1/16W
R6604		NRVA63D-392X	CMF RESISTOR 3.9kΩ,1/16W	R7096		NRVA63D-123X	CMF RESISTOR 12kΩ,1/16W
R6605		NRSA63J-274X	MG RESISTOR 270kΩ,1/16W	R7110		NRSA63J-105X	MG RESISTOR 1MΩ,1/16W
R6606		NRSA63J-272X	MG RESISTOR 2.7kΩ,1/16W	R7112		NRVA63D-332X	CMF RESISTOR 3.3kΩ,1/16W
R6612		NRSA63J-823X	MG RESISTOR 82kΩ,1/16W	R7114		NRVA63D-223X	CMF RESISTOR 22kΩ,1/16W
R6613		NRSA63J-104X	MG RESISTOR 100kΩ,1/16W	R7116		NRVA63D-332X	CMF RESISTOR 3.3kΩ,1/16W
R6614		NRSA63J-472X	MG RESISTOR 4.7kΩ,1/16W	R7118		NRVA63D-223X	CMF RESISTOR 22kΩ,1/16W
R6616		NRSA63J-102X	MG RESISTOR 1kΩ,1/16W	R7120		NRVA63D-332X	CMF RESISTOR 3.3kΩ,1/16W
R6622		NRVA63D-104X	CMF RESISTOR 100kΩ,1/16W	R7122		NRVA63D-223X	CMF RESISTOR 22kΩ,1/16W
R6623		NRVA63D-473X	CMF RESISTOR 47kΩ,1/16W	R7124		NRVA63D-103X	CMF RESISTOR 10kΩ,1/16W
R6624		NRSA63J-273X	MG RESISTOR 27kΩ,1/16W	R7127		NRVA63D-103X	CMF RESISTOR 10kΩ,1/16W
R6625		NRSA63J-822X	MG RESISTOR 8.2kΩ,1/16W	R7128		NRVA63D-103X	CMF RESISTOR 10kΩ,1/16W
R6626		NRVA63D-563X	CMF RESISTOR 56kΩ,1/16W	R7129		NRVA63D-103X	CMF RESISTOR 10kΩ,1/16W
R6627		NRVA63D-363X	CMF RESISTOR 36kΩ,1/16W	R7130		NRVA63D-103X	CMF RESISTOR 10kΩ,1/16W
R6701		NRSA63J-680X	MG RESISTOR 68Ω,1/16W	R7131		NRVA63D-103X	CMF RESISTOR 10kΩ,1/16W
R6702		NRSA63J-221X	MG RESISTOR 220Ω,1/16W	R7132		NRVA63D-103X	CMF RESISTOR 10kΩ,1/16W
R6704		NRVA63D-472X	CMF RESISTOR 4.7kΩ,1/16W	R7139		NRVA63D-911X	CMF RESISTOR 910Ω,1/16W
R6706		NRZ0058-R20X	MG RESISTOR 0.2Ω,1/2W	R7143		NRSA63J-0R0X	MG RESISTOR 0Ω,1/16W
R6707		NRS016J-121X	MG RESISTOR 120Ω,1W	R7213		NRSA63J-0R0X	MG RESISTOR 0Ω,1/16W
R6708		NRS016J-121X	MG RESISTOR 120Ω,1W	RA101		NRZ0038-222X	NETWORK RESISTOR 2.2kΩ
R6709		NRS016J-121X	MG RESISTOR 120Ω,1W	RA102		NRZ0038-222X	NETWORK RESISTOR 2.2kΩ
R6710		NRVA63D-823X	CMF RESISTOR 82kΩ,1/16W	RA103		NRZ0038-222X	NETWORK RESISTOR 2.2kΩ
R6711		NRVA63D-333X	CMF RESISTOR 33kΩ,1/16W	RA104		NRZ0038-222X	NETWORK RESISTOR 2.2kΩ
R6712		NRSA63J-222X	MG RESISTOR 2.2kΩ,1/16W	RA105		NRZ0038-473X	NETWORK RESISTOR 47kΩ
R6713		NRSA63J-562X	MG RESISTOR 5.6kΩ,1/16W	RA106		NRZ0037-331X	NETWORK RESISTOR 330Ω
R6801		NRSA63J-102X	MG RESISTOR 1kΩ,1/16W	RA107		NRZ0034-102W	NETWORK RESISTOR 1kΩ
R6803		NRVA63D-223X	CMF RESISTOR 22kΩ,1/16W	RA108		NRZ0034-102W	NETWORK RESISTOR 1kΩ
R6804		NRVA63D-103X	CMF RESISTOR 10kΩ,1/16W	RA109		NRZ0038-474X	NETWORK RESISTOR 470kΩ
R6810		NRSA63J-0R0X	MG RESISTOR 0Ω,1/16W	C102		NCF31EZ-104X	CAPACITOR 0.1μF,25V
R6811		NRSA63J-102X	MG RESISTOR 1kΩ,1/16W	C103		NBE41AM-106X	T CAPACITOR 10μF,10V
R6813		NRVA63D-104X	CMF RESISTOR 100kΩ,1/16W	C104		NCB31EK-103X	CAPACITOR 0.01μF,25V
R6814		NRVA63D-683X	CMF RESISTOR 68kΩ,1/16W	C105		NCB21CK-224X	CAPACITOR 0.22μF,16V
R6820		NRSA63J-102X	MG RESISTOR 1kΩ,1/16W	C106		NCF31EZ-104X	CAPACITOR 0.1μF,25V
R6961		NRSA63J-223X	MG RESISTOR 22kΩ,1/16W	C107		NCB31EK-103X	CAPACITOR 0.01μF,25V

#	△ REF No.	PART No.	PART NAME, DESCRIPTION		#	△ REF No.	PART No.	PART NAME, DESCRIPTION	
C108		NBE21AM-225X	T CAPACITOR	2.2μF,10V	C2027		NCB30JK-474X	CAPACITOR	0.47μF,6.3V
C109		NBE41AM-106X	T CAPACITOR	10μF,10V	C2028		NCB30JK-105X	CAPACITOR	1μF,6.3V
C110		NDC31HJ-101X	CAPACITOR	100pF,50V	C2029		NCB30JK-105X	CAPACITOR	1μF,6.3V
C111		NEA70JM-226X	E CAPACITOR	22μF,6.3V	C2031		NCB31CK-104X	CAPACITOR	0.1μF,16V
C112		NEA70JM-226X	E CAPACITOR	22μF,6.3V	C2032		NCB31HK-472X	CAPACITOR	0.0047μF,50V
C113		NCB31EK-103X	CAPACITOR	0.01μF,25V	C2033		NBE20JM-475X	T CAPACITOR	4.7μF,6.3V
C114		NCB31EK-103X	CAPACITOR	0.01μF,25V	C2034		NCB31CK-104X	CAPACITOR	0.1μF,16V
C115		NCF31EZ-104X	CAPACITOR	0.1μF,25V	C2035		NBE20JM-226X	T CAPACITOR	22μF,6.3V
C116		NCB31EK-103X	CAPACITOR	0.01μF,25V	C2036		NBE20JM-106X	T CAPACITOR	10μF,6.3V
C118		NCF31EZ-104X	CAPACITOR	0.1μF,25V	C2037		NBE20JM-226X	T CAPACITOR	22μF,6.3V
C119		NCB31EK-103X	CAPACITOR	0.01μF,25V	C2038		NCB30JK-474X	CAPACITOR	0.47μF,6.3V
C120		NCB31EK-103X	CAPACITOR	0.01μF,25V	C2051		NCB31EK-103X	CAPACITOR	0.01μF,25V
C121		NCF31EZ-104X	CAPACITOR	0.1μF,25V	C2071		NBE20JM-106X	T CAPACITOR	10μF,6.3V
C122		NCF31EZ-104X	CAPACITOR	0.1μF,25V	C2072		NCB31HK-222X	CAPACITOR	0.0022μF,50V
C123		NDC31HJ-100X	CAPACITOR	10pF,50V	C2401		NEA70GM-476X	E CAPACITOR	47μF,4.0V
C124		NDC31HJ-100X	CAPACITOR	10pF,50V	C2402		NCB30JK-105X	CAPACITOR	1μF,6.3V
C125		NCB31EK-103X	CAPACITOR	0.01μF,25V	C2403		NBE20JM-475X	T CAPACITOR	4.7μF,6.3V
C126		NDC31HJ-120X	CAPACITOR	12pF,50V	C2404		NCF31EZ-104X	CAPACITOR	0.1μF,25V
C127		NCB31CK-333X	CAPACITOR	0.033μF,16V	C3002		NCB21CK-105X	CAPACITOR	1μF,16V
C128		NCB21CK-474X	CAPACITOR	0.47μF,16V	C3003		NCB21CK-105X	CAPACITOR	1μF,16V
C129		NCB31CK-333X	CAPACITOR	0.033μF,16V	C3004		NCF31EZ-104X	CAPACITOR	0.1μF,25V
C131		NCF31EZ-104X	CAPACITOR	0.1μF,25V	C3005		NCF31EZ-104X	CAPACITOR	0.1μF,25V
C132		NCF31EZ-104X	CAPACITOR	0.1μF,25V	C3006		NDC31HG-100X	CAPACITOR	10pF,50V
C133		NCF31EZ-104X	CAPACITOR	0.1μF,25V	C3007		NDC31HG-100X	CAPACITOR	10pF,50V
C134		NCF31EZ-104X	CAPACITOR	0.1μF,25V	C3009		NCF31EZ-104X	CAPACITOR	0.1μF,25V
C1201		NCB31HK-102X	CAPACITOR	0.001μF,50V	C3011		NCF31EZ-104X	CAPACITOR	0.1μF,25V
C1202		NBE20JM-106X	T CAPACITOR	10μF,6.3V	C3012		NCF31EZ-104X	CAPACITOR	0.1μF,25V
C1205		NCB31EK-153X	CAPACITOR	0.015μF,25V	C3013		NCF31EZ-104X	CAPACITOR	0.1μF,25V
C1206		NBE20JM-106X	T CAPACITOR	10μF,6.3V	C3014		NCF31EZ-104X	CAPACITOR	0.1μF,25V
C1601		NCB31EK-103X	CAPACITOR	0.01μF,25V	C3015		NCF31EZ-104X	CAPACITOR	0.1μF,25V
C1602		NCB21CK-224X	CAPACITOR	0.22μF,16V	C3017		NCF31EZ-104X	CAPACITOR	0.1μF,25V
C1603		NCB31CK-223X	CAPACITOR	0.022μF,16V	C3019		NCB31EK-103X	CAPACITOR	0.01μF,25V
C1604		NCB31CK-223X	CAPACITOR	0.022μF,16V	C3020		NCB31EK-103X	CAPACITOR	0.01μF,25V
C1605		NCB31CK-223X	CAPACITOR	0.022μF,16V	C3027		NCB31EK-103X	CAPACITOR	0.01μF,25V
C1606		NCB31CK-104X	CAPACITOR	0.1μF,16V	C3028		NCB31EK-103X	CAPACITOR	0.01μF,25V
C1607		NCB31CK-104X	CAPACITOR	0.1μF,16V	C3037		NDC31HJ-100X	CAPACITOR	10pF,50V
C1608		NCB31CK-683X	CAPACITOR	0.068μF,16V	C3506		NCB31EK-103X	CAPACITOR	0.01μF,25V
C1609		NCB31CK-104X	CAPACITOR	0.1μF,16V	C3507		NCB31EK-103X	CAPACITOR	0.01μF,25V
C1610		NCB31CK-104X	CAPACITOR	0.1μF,16V	C3508		NCB31EK-103X	CAPACITOR	0.01μF,25V
C1611		NCB31CK-104X	CAPACITOR	0.1μF,16V	C3509		NDC31HJ-221X	CAPACITOR	220pF,50V
C1612		NDC31HJ-331X	CAPACITOR	330pF,50V	C3510		NCB31CK-104X	CAPACITOR	0.1μF,16V
C1613		NCB21CK-334X	CAPACITOR	0.33μF,16V	C3512		NCB10JK-106X	CAPACITOR	10μF,6.3V
C1614		NBE41AM-226X	T CAPACITOR	22μF,10V	C3513		NCB31CK-223X	CAPACITOR	0.022μF,16V
C1615		NCB31HK-681X	CAPACITOR	680pF,50V	C3514		NCB21CK-105X	CAPACITOR	1μF,16V
C1616		NCB21CK-474X	CAPACITOR	0.47μF,16V	C3515		NCB31EK-103X	CAPACITOR	0.01μF,25V
C1617		NCB31HK-152X	CAPACITOR	0.0015μF,50V	C3516		NDC31HJ-100X	CAPACITOR	10pF,50V
C1618		NBE21AM-106X	T CAPACITOR	10μF,10V	C3902		NCB31EK-103X	CAPACITOR	0.01μF,25V
C1619		NCB31CK-223X	CAPACITOR	0.022μF,16V	C3903		NDC31HJ-3R0X	CAPACITOR	3pF,50V
C1620		NCB31HK-472X	CAPACITOR	0.0047μF,50V	C4006		NCF31EZ-104X	CAPACITOR	0.1μF,25V
C1621		NBP41CM-106X	T CAPACITOR	10μF,16V	C4008		NCF31EZ-104X	CAPACITOR	0.1μF,25V
C2001		NBE20JM-106X	T CAPACITOR	10μF,6.3V	C4009		NCF31EZ-104X	CAPACITOR	0.1μF,25V
C2002		NFV41HJ-183X	MPPS CAPACITOR	0.018μF,50V	C4010		NCF31EZ-104X	CAPACITOR	0.1μF,25V
C2003		NDC31HJ-331X	CAPACITOR	330pF,50V	C4012		NCF31EZ-104X	CAPACITOR	0.1μF,25V
C2004		NBE20JM-226X	T CAPACITOR	22μF,6.3V	C4014		NCF31EZ-104X	CAPACITOR	0.1μF,25V
C2005		NCB21CK-105X	CAPACITOR	1μF,16V	C4017		NCF31EZ-104X	CAPACITOR	0.1μF,25V
C2021		NCB31EK-103X	CAPACITOR	0.01μF,25V	C4019		NCF31EZ-104X	CAPACITOR	0.1μF,25V
C2022		NBE20JM-156X	T CAPACITOR	15μF,6.3V	C4022		NCF31EZ-104X	CAPACITOR	0.1μF,25V
C2023		NBP21CM-105X	T CAPACITOR	1μF,16V	C4024		NCF31EZ-104X	CAPACITOR	0.1μF,25V
C2024		NCB31HK-102X	CAPACITOR	0.001μF,50V	C4028		NCF31EZ-104X	CAPACITOR	0.1μF,25V
C2025		NCB30JK-105X	CAPACITOR	1μF,6.3V	C4029		NCF31EZ-104X	CAPACITOR	0.1μF,25V
C2026		NCB31HK-222X	CAPACITOR	0.0022μF,50V	C4030		NCF31EZ-104X	CAPACITOR	0.1μF,25V

#	△ REF No.	PART No.	PART NAME, DESCRIPTION	#	△ REF No.	PART No.	PART NAME, DESCRIPTION	
C4036		NCF31EZ-104X	CAPACITOR	0.1μF,25V	C5237	NDC31HJ-100X	CAPACITOR	10pF,50V
C4044		NCB21CK-105X	CAPACITOR	1μF,16V	C6002	NEA71CM-106X	E CAPACITOR	10μF,16V
C4048		NCB10JK-106X	CAPACITOR	10μF,6.3V	C6004	NCF21CZ-105X	CAPACITOR	1μF,16V
C4049		NDC31HJ-100X	CAPACITOR	10pF,50V	C6005	NCB21CK-105X	CAPACITOR	1μF,16V
C4051		NDC31HJ-221X	CAPACITOR	220pF,50V	C6006	NCF21CZ-105X	CAPACITOR	1μF,16V
C4052		NCB21CK-105X	CAPACITOR	1μF,16V	C6007	NCB21CK-105X	CAPACITOR	1μF,16V
C4053		NCF31EZ-104X	CAPACITOR	0.1μF,25V	C6009	NDC31HJ-820X	CAPACITOR	82pF,50V
C4201		NEA71HM-225X	E CAPACITOR	2.2μF,50V	C6010	NCB21CK-224X	CAPACITOR	0.22μF,16V
C4202		NCF31EZ-104X	CAPACITOR	0.1μF,25V	C6011	NCB21CK-104X	CAPACITOR	0.1μF,16V
C4203		NCB31CK-104X	CAPACITOR	0.1μF,16V	C6012	NCB21CK-224X	CAPACITOR	0.22μF,16V
C4205		NCB31EK-103X	CAPACITOR	0.01μF,25V	C6013	NCB31EK-473X	CAPACITOR	0.047μF,25V
C4206		NCB31CK-104X	CAPACITOR	0.1μF,16V	C6014	NCB31EK-473X	CAPACITOR	0.047μF,25V
C4207		NCB31EK-103X	CAPACITOR	0.01μF,25V	C6015	NCB31EK-473X	CAPACITOR	0.047μF,25V
C4208		NCB31CK-104X	CAPACITOR	0.1μF,16V	C6016	NCB31EK-473X	CAPACITOR	0.047μF,25V
C4209		NCF21CZ-105X	CAPACITOR	1μF,16V	C6017	NCF21CZ-105X	CAPACITOR	1μF,16V
C4210		NCF21CZ-105X	CAPACITOR	1μF,16V	C6018	NCB21CK-224X	CAPACITOR	0.22μF,16V
C4251		NEA71HM-335X	E CAPACITOR	3.3μF,50V	C6020	NCB21CK-224X	CAPACITOR	0.22μF,16V
C4252		NCB31CK-104X	CAPACITOR	0.1μF,16V	C6101	NCB21CK-105X	CAPACITOR	1μF,16V
C4253		NCB31EK-153X	CAPACITOR	0.015μF,25V	C6102	NCB10JK-106X	CAPACITOR	10μF,6.3V
C4254		NCB31EK-153X	CAPACITOR	0.015μF,25V	C6105	NCB31HK-102X	CAPACITOR	0.001μF,50V
C4256		NEA71CM-106X	E CAPACITOR	10μF,16V	C6106	NCF21CZ-105X	CAPACITOR	1μF,16V
C4502		NBE21AM-106X	T CAPACITOR	10μF,10V	C6107	NCF21CZ-105X	CAPACITOR	1μF,16V
C4504		NCF31EZ-104X	CAPACITOR	0.1μF,25V	C6110	NCB31HK-152X	CAPACITOR	0.0015μF,50V
C4505		NDC31HJ-330X	CAPACITOR	33pF,50V	C6201	NCB21CK-105X	CAPACITOR	1μF,16V
C4506		NCB31HK-102X	CAPACITOR	0.001μF,50V	C6202	NCB10JK-106X	CAPACITOR	10μF,6.3V
C4507		NCB31HK-102X	CAPACITOR	0.001μF,50V	C6203	NEA70JM-476X	E CAPACITOR	47μF,6.3V
C4508		NCB31HK-102X	CAPACITOR	0.001μF,50V	C6205	NCB31HK-472X	CAPACITOR	0.0047μF,50V
C4509		NCB31HK-102X	CAPACITOR	0.001μF,50V	C6210	NCB31EK-103X	CAPACITOR	0.01μF,25V
C4510		NCB31CK-104X	CAPACITOR	0.1μF,16V	C6301	NCB11CK-225X	CAPACITOR	2.2μF,16V
C4511		NCF31EZ-104X	CAPACITOR	0.1μF,25V	C6302	NCB10JK-106X	CAPACITOR	10μF,6.3V
C4701		NBE20JM-106X	T CAPACITOR	10μF,6.3V	C6303	NEA70JM-226X	E CAPACITOR	22μF,6.3V
C4702		NCF31EZ-104X	CAPACITOR	0.1μF,25V	C6305	NCB31HK-561X	CAPACITOR	560pF,50V
C4703		NBE20JM-106X	T CAPACITOR	10μF,6.3V	C6307	NEA71CM-106X	E CAPACITOR	10μF,16V
C4704		NCB21CK-105X	CAPACITOR	1μF,16V	C6308	NBE20JM-106X	T CAPACITOR	10μF,6.3V
C4705		NDC31HJ-820X	CAPACITOR	82pF,50V	C6310	NCB31HK-102X	CAPACITOR	0.001μF,50V
C4706		NDC31HJ-150X	CAPACITOR	15pF,50V	C6401	NCB21CK-105X	CAPACITOR	1μF,16V
C4707		NCB21CK-105X	CAPACITOR	1μF,16V	C6402	NCF21CZ-105X	CAPACITOR	1μF,16V
C5203		NCB10JK-106X	CAPACITOR	10μF,6.3V	C6406	NCB31CK-683X	CAPACITOR	0.068μF,16V
C5207		NCB31EK-103X	CAPACITOR	0.01μF,25V	C6410	NCB21CK-474X	CAPACITOR	0.47μF,16V
C5208		NCB31EK-103X	CAPACITOR	0.01μF,25V	C6501	NCB21CK-105X	CAPACITOR	1μF,16V
C5209		NCB31EK-103X	CAPACITOR	0.01μF,25V	C6502	NCF21CZ-105X	CAPACITOR	1μF,16V
C5210		NCF31EZ-104X	CAPACITOR	0.1μF,25V	C6506	NCB21CK-224X	CAPACITOR	0.22μF,16V
C5211		NCB21CK-105X	CAPACITOR	1μF,16V	C6510	NCB31CK-104X	CAPACITOR	0.1μF,16V
C5212		NCB21CK-105X	CAPACITOR	1μF,16V	C6601	NCB11CK-225X	CAPACITOR	2.2μF,16V
C5213		NCB31HK-332X	CAPACITOR	0.0033μF,50V	C6602	NCF21CZ-105X	CAPACITOR	1μF,16V
C5214		NCB31EK-103X	CAPACITOR	0.01μF,25V	C6603	NCB11CK-475X	CAPACITOR	4.7μF,16V
C5218		NCF31EZ-104X	CAPACITOR	0.1μF,25V	C6605	NDC31HJ-331X	CAPACITOR	330pF,50V
C5219		NBP21CM-685X	T CAPACITOR	6.8μF,16V	C6606	NCF21CZ-105X	CAPACITOR	1μF,16V
C5221		NCB11EK-105X	CAPACITOR	1μF,25V	C6607	NCB11EK-105X	CAPACITOR	1μF,25V
C5222		NCB31CK-104X	CAPACITOR	0.1μF,16V	C6610	NCB31EK-103X	CAPACITOR	0.01μF,25V
C5223		NCF31EZ-104X	CAPACITOR	0.1μF,25V	C6616	NCB21CK-105X	CAPACITOR	1μF,16V
C5225		NCF31EZ-104X	CAPACITOR	0.1μF,25V	C6622	NCB21CK-105X	CAPACITOR	1μF,16V
C5227		NCB31CK-104X	CAPACITOR	0.1μF,16V	C6700	NCB31HK-272X	CAPACITOR	0.0027μF,50V
C5228		NCF31EZ-104X	CAPACITOR	0.1μF,25V	C6701	NCF21CZ-105X	CAPACITOR	1μF,16V
C5229		NCB11EK-105X	CAPACITOR	1μF,25V	C6702	NCB41CK-106X	CAPACITOR	10μF,16V
C5230		NCB21EK-104X	CAPACITOR	0.1μF,25V	C6711	NCB21HK-472X	CAPACITOR	0.0047μF,50V
C5232		NDC31HJ-100X	CAPACITOR	10pF,50V	C6802	NCF21CZ-105X	CAPACITOR	1μF,16V
C5233		NDC31HJ-100X	CAPACITOR	10pF,50V	C6805	NCB31HK-102X	CAPACITOR	0.001μF,50V
C5234		NDC31HJ-100X	CAPACITOR	10pF,50V	C6810	NCB31EK-103X	CAPACITOR	0.01μF,25V
C5235		NDC31HJ-100X	CAPACITOR	10pF,50V	C6812	NCF21CZ-105X	CAPACITOR	1μF,16V
C5236		NDC31HJ-100X	CAPACITOR	10pF,50V	C6820	NCB31HK-102X	CAPACITOR	0.001μF,50V

#	△ REF No.	PART No.	PART NAME, DESCRIPTION	#	△ REF No.	PART No.	PART NAME, DESCRIPTION	
	C7001	NCB31EK-103X	CAPACITOR	0.01μF,25V	L6101	NQL52EM-390X	COIL	39μH
	C7002	NBE20JM-106X	T CAPACITOR	10μF,6.3V	L6106	NQL144K-101X	COIL	100μH
	C7013	NCB30JK-105X	CAPACITOR	1μF,6.3V	L6107	NQL144K-101X	COIL	100μH
	C7019	NDC31HJ-121X	CAPACITOR	120pF,50V	L6201	NQL52EM-470X	COIL	47μH
	C7020	NDC31HJ-151X	CAPACITOR	150pF,50V	L6301	NQL52EM-390X	COIL	39μH
	C7021	NBP41EM-475X	T CAPACITOR	4.7μF,25V	L6306	NQL52EM-470X	COIL	47μH
	C7022	NCB31EK-103X	CAPACITOR	0.01μF,25V	L6401	NQL52EM-470X	COIL	47μH
	C7023	NCB31EK-103X	CAPACITOR	0.01μF,25V	L6501	NQL52EM-470X	COIL	47μH
	C7024	NBP41EM-475X	T CAPACITOR	4.7μF,25V	L6601	NQL52EM-221X	COIL	220μH
	C7025	NCB31EK-103X	CAPACITOR	0.01μF,25V	L6602	NQL144K-221X	COIL	220μH
	C7026	NBE20JM-106X	T CAPACITOR	10μF,6.3V	L6606	NQL144K-220X	COIL	22μH
	C7028	NCB31EK-103X	CAPACITOR	0.01μF,25V	L6701	NQL52EM-100X	COIL	10μH
	C7029	NCB31CK-104X	CAPACITOR	0.1μF,16V	L7001	NQL38DK-220X	COIL	22μH
	C7030	NCB31EK-103X	CAPACITOR	0.01μF,25V	L7005	NQL38DK-220X	COIL	22μH
	C7031	NDC31HJ-220X	CAPACITOR	22pF,50V	L7006	NQL38DK-220X	COIL	22μH
	C7032	NCB31CK-104X	CAPACITOR	0.1μF,16V	L7007	NQL38DK-220X	COIL	22μH
	C7033	NBC21CK-334X	CAPACITOR	0.33μF,16V	L7008	NQL38DK-220X	COIL	22μH
	C7034	NDC31HJ-331X	CAPACITOR	330pF,50V	L7009	NQL38DK-220X	COIL	22μH
	C7035	NDC31HJ-330X	CAPACITOR	33pF,50V	L7010	NQL085J-4R7X	COIL	4.7μH
	C7036	NCB31CK-104X	CAPACITOR	0.1μF,16V	L7012	NQL144K-100X	COIL	10μH
	C7037	NDC31HJ-330X	CAPACITOR	33pF,50V	X101	NAX0251-001X	CRYSTAL RESONATOR	
	C7038	NCB31EK-103X	CAPACITOR	0.01μF,25V	X102	NAX0325-001X	CRYSTAL RESONATOR	
	C7039	NBP41CM-106X	T CAPACITOR	10μF,16V	X3001	QAX0596-001	CRYSTAL RESONATOR	
	C7042	NCB31EK-103X	CAPACITOR	0.01μF,25V	WR1	WJV0039-001A	E-PRIMARY WIRE, JUMP WIRE	
	C7045	NDC31HJ-100X	CAPACITOR	10pF,50V	△ J101	QAB0022-001	LI BATTERY	
	C7046	NDC31HJ-100X	CAPACITOR	10pF,50V	J504	LY31356-002A	JACK UNIT	
	C7047	NDC31HJ-100X	CAPACITOR	10pF,50V	CN1	QGF0507F3-10X	FFC/FPC CONNECTOR	
	C7048	NBE20JM-106X	T CAPACITOR	10μF,6.3V	CN2	QGF0507F3-14X	FFC/FPC CONNECTOR	
	C7051	NCB31EK-103X	CAPACITOR	0.01μF,25V	CN3	QGF0505F2-18X	FPC CONNECTOR	
	C7052	NBE20JM-106X	T CAPACITOR	10μF,6.3V	CN4	QGA1201F2-06X	CONNECTOR	
	C7053	NCB31EK-103X	CAPACITOR	0.01μF,25V	CN5	QGF0507F1-11X	FPC CONNECTOR	
	C7054	NBP41EM-475X	T CAPACITOR	4.7μF,25V	CN7	QGF0507F3-11X	FFC/FPC CONNECTOR	
	C7057	NCB31EK-682X	CAPACITOR	0.0068μF,25V	CN8	QGA1201C2-02X	CONNECTOR	
	C7059	NBP41EM-475X	T CAPACITOR	4.7μF,25V	CN12	QGA1201F2-05X	CONNECTOR	
	C7060	NCB11CK-225X	CAPACITOR	2.2μF,16V	CN13	QGF0507F3-14X	FFC/FPC CONNECTOR	
	C7064	NCB11EK-105X	CAPACITOR	1μF,25V	CN15	QGF0507F1-22X	FPC CONNECTOR	
	C7065	NCB11EK-105X	CAPACITOR	1μF,25V	CN16	QGF0305F1-33X	FPC CONNECTOR	
	C7066	NCB11EK-105X	CAPACITOR	1μF,25V	CN18	QGF0507F3-12X	FFC/FPC CONNECTOR	
	C7067	NCB31CK-104X	CAPACITOR	0.1μF,16V	CN22	QGF0507F3-14X	FFC/FPC CONNECTOR	
	C7069	NCB31EK-103X	CAPACITOR	0.01μF,25V	CN25	QGB0506L1-30X	CONNECTOR	
	L101	NQL034K-330X	COIL	33μH	CN27	QGA1201C2-02X	CONNECTOR	
	L501	NQR0129-002X	FERRITE BEAD		CN28	QGA1002F1-13X	CONNECTOR	
	L1601	NQL38DK-100X	COIL	10μH	△ F6001	NMFZ007-2R0X-K	FUSE	T2.OA
	L1602	NQL144K-100X	COIL	10μH	△ F6002	NMFZ010-R50X-A	FUSE	T0.5A
	L2001	NQL144K-101X	COIL	100μH	SD1	LY42914-001A	SHIELD PLATE	
	L2003	NQL034K-470X	COIL	47μH	OT1	LY30016-049A	SPACER-A,FOR WR1	
	L2021	NQL144K-470X	COIL	47μH	OT2	LY30029-0B6A	SPACER(A),FOR LI BATTERY	
	L2401	NQL144K-470X	COIL	47μH				
	L3002	NQR0006-001X	FERRITE BEAD					
	L3003	NQR0129-002X	FERRITE BEAD					
	L3502	NQL38DK-220X	COIL	22μH				
	L3503	NQL085J-5R6X	COIL	5.6μH				
	L4201	NQR0006-001X	FERRITE BEAD					
	L4501	NQR0006-001X	FERRITE BEAD					
	L4502	NQL034K-220X	COIL	22μH				
	L4701	NQL38DK-220X	COIL	22μH				
	L5201	NQL38DK-470X	COIL	47μH				
	L5202	NQL38DK-220X	COIL	22μH				
	L5203	NQL38DK-220X	COIL	22μH				
	L6001	NQL52EM-100X	COIL	10μH				
	L6002	NQL52EM-100X	COIL	10μH				